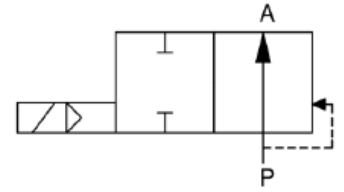


Normal position	NO
Housing	Brass (CW614N)
Ambient temperature	-10 °C to 50 °C
Medium temperature	-15 °C to 100 °C (FPM) -20 °C to 85 °C (NBR)

Mounting position	Solenoid preferably in upright position
Protection IP	IP 65 (with connector socket fitted)
Electrical connection	Connector socket, industrial standard type A – EN 175301-803-A

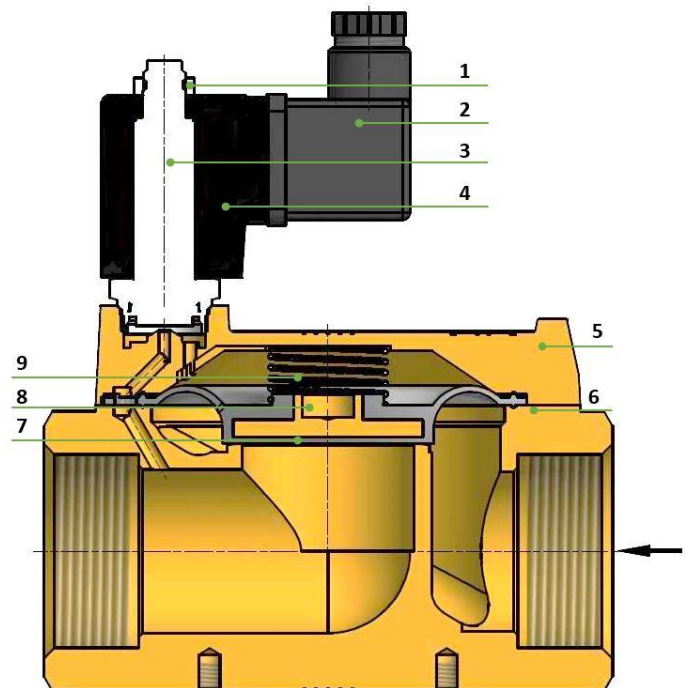
Voltage tolerance	± 10% acc. VDE 0580
Power	230V 50Hz: 17.6VA 110V AC: 17.6VA 24V AC: 17.6VA 24V DC: 18W 12V DC: 15W

Duty cycle	100% ED
------------	---------



### Materials

No.	Part	Material
1	Nut	Galvanised steel
2	Connector socket	Plastic
3	NO iron part	Stainless steel, FPM, copper ring
4	Solenoid	Plastic cover
5	Cover	Brass
6	Housing	Brass
7	Diaphragm	FPM
8	Diaphragm insert	Brass
9	Spring	Stainless steel



**P 3-542 e**

## 2/2-way solenoid valves

pilot-operated  
professional standard series  
Art. No. 129566 to 129635



### Solenoid valve, normally open, pilot-operated, alternating current

Artikel Nr.	Typen Nr.	Gewinde	DN	Spannung	Dichtmaterial	Betriebsdruck bar	Kv-Wert m <sup>3</sup> /h
129566	MVB.38.MS.230.F.RV.13	G 3/8	13	230V AC	FPM	0.5 - 12	1.8
129580	MVB.38.MS.24A.F.RV.13	G 3/8	13	24V AC	FPM	0.5 - 12	1.8
129587	MVB.38.MS.110.F.RV.13	G 3/8	13	110V AC	FPM	0.5 - 12	1.8
129601	MVB.38.MS.230.N.RV.13	G 3/8	13	230V AC	NBR	0.5 - 12	1.8
129615	MVB.38.MS.24A.N.RV.13	G 3/8	13	24V AC	NBR	0.5 - 12	1.8
129622	MVB.38.MS.110.N.RV.13	G 3/8	13	110V AC	NBR	0.5 - 12	1.8
129567	MVB.12.MS.230.F.RV.13	G 1/2	13	230V AC	FPM	0.5 - 12	2.2
129588	MVB.12.MS.110.F.RV.13	G 1/2	13	110V AC	FPM	0.5 - 12	2.2
129581	MVB.12.MS.24A.F.RV.13	G 1/2	13	24V AC	FPM	0.5 - 12	2.2
129602	MVB.12.MS.230.N.RV.13	G 1/2	13	230V AC	NBR	0.5 - 12	2.2
129616	MVB.12.MS.24A.N.RV.13	G 1/2	13	24V AC	NBR	0.5 - 12	2.2
129623	MVB.12.MS.110.N.RV.13	G 1/2	13	110V AC	NBR	0.5 - 12	2.2
129568	MVB.34.MS.230.F.RV.20	G 3/4	20	230V AC	FPM	0.5 - 12	9.1
129582	MVB.34.MS.24A.F.RV.20	G 3/4	20	24V AC	FPM	0.5 - 12	9.1
129589	MVB.34.MS.110.F.RV.20	G 3/4	20	110V AC	FPM	0.5 - 12	9.1
129603	MVB.34.MS.230.N.RV.20	G 3/4	20	230V AC	NBR	0.5 - 12	9.1
129617	MVB.34.MS.24A.N.RV.20	G 3/4	20	24V AC	NBR	0.5 - 12	9.1
129624	MVB.34.MS.110.N.RV.20	G 3/4	20	110V AC	NBR	0.5 - 12	9.1
129569	MVB.1.MS.230.F.RV.25	G 1	25	230V AC	FPM	0.5 - 12	12.7
129583	MVB.1.MS.24A.F.RV.25	G 1	25	24V AC	FPM	0.5 - 12	12.7
129590	MVB.1.MS.110.F.RV.25	G 1	25	110V AC	FPM	0.5 - 12	12.7
129618	MVB.1.MS.24A.N.RV.25	G 1	25	24V AC	NBR	0.5 - 12	12.7
129604	MVB.1.MS.230.N.RV.25	G 1	25	230V AC	NBR	0.5 - 12	12.7
129625	MVB.1.MS.110.N.RV.25	G 1	25	110V AC	NBR	0.5 - 12	12.7
129570	MVB.114.MS.230.F.RV.32	G 1 1/4	32	230V AC	FPM	0.5 - 10	21.5
129584	MVB.114.MS.24A.F.RV.32	G 1 1/4	32	24V AC	FPM	0.5 - 10	21.5
129591	MVB.114.MS.110.F.RV.32	G 1 1/4	32	110V AC	FPM	0.5 - 10	21.5
129605	MVB.114.MS.230.N.RV.32	G 1 1/4	32	230V AC	NBR	0.5 - 10	21.5
129619	MVB.114.MS.24A.N.RV.32	G 1 1/4	32	24V AC	NBR	0.5 - 10	21.5
129626	MVB.114.MS.110.N.RV.32	G 1 1/4	32	110V AC	NBR	0.5 - 10	21.5
129571	MVB.112.MS.230.F.RV.40	G 1 1/2	40	230V AC	FPM	0.5 - 10	28.1
129592	MVB.112.MS.110.F.RV.40	G 1 1/2	40	110V AC	FPM	0.5 - 10	28.1
129585	MVB.112.MS.24A.F.RV.40	G 1 1/2	40	24V AC	FPM	0.5 - 10	28.1
129606	MVB.112.MS.230.N.RV.40	G 1 1/2	40	230V AC	NBR	0.5 - 10	28.1
129620	MVB.112.MS.24A.N.RV.40	G 1 1/2	40	24V AC	NBR	0.5 - 10	28.1
129627	MVB.112.MS.110.N.RV.40	G 1 1/2	40	110V AC	NBR	0.5 - 10	28.1
129572	MVB.2.MS.230.F.RV.50	G 2	50	230V AC	FPM	0.5 - 10	37.8
129586	MVB.2.MS.24A.F.RV.50	G 2	50	24V AC	FPM	0.5 - 10	37.8
129593	MVB.2.MS.110.F.RV.50	G 2	50	110V AC	FPM	0.5 - 10	37.8
129607	MVB.2.MS.230.N.RV.50	G 2	50	230V AC	NBR	0.5 - 10	37.8
129621	MVB.2.MS.24A.N.RV.50	G 2	50	24V AC	NBR	0.5 - 10	37.8
129628	MVB.2.MS.110.N.RV.50	G 2	50	110V AC	NBR	0.5 - 10	37.8

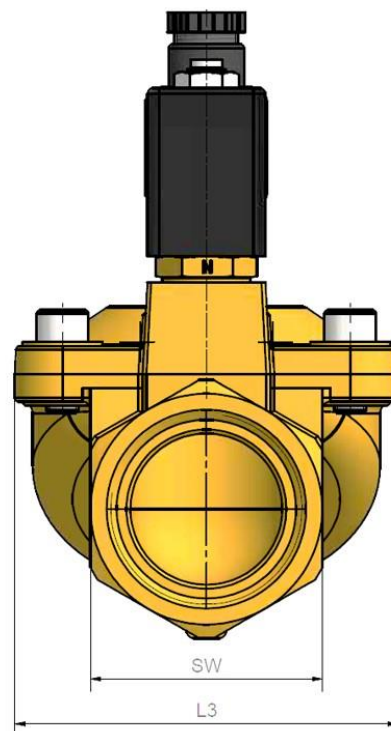
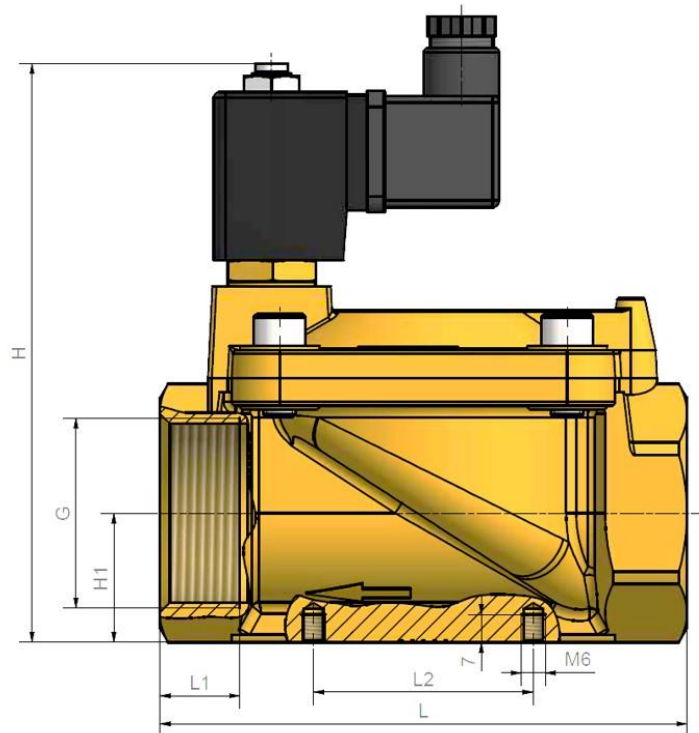
**Solenoid valve, normally open, pilot-operated, direct current**

Artikel Nr.	Typen Nr.	Gewinde	DN	Spannung	Dicht- material	Betriebsdruck bar	Kv-Wert m <sup>3</sup> /h
129573	MVB.38.MS.24D.F.RV.13	G 3/8	13	24V DC	FPM	0.5 - 12	1.8
129594	MVB.38.MS.12.F.RV.13	G 3/8	13	12V DC	FPM	0.5 - 12	1.8
129608	MVB.38.MS.24D.N.RV.13	G 3/8	13	24V DC	NBR	0.5 - 12	1.8
129629	MVB.38.MS.12.N.RV.13	G 3/8	13	12V DC	NBR	0.5 - 12	1.8
129574	MVB.12.MS.24D.F.RV.13	G 1/2	13	24V DC	FPM	0.5 - 12	2.2
129595	MVB.12.MS.12.F.RV.13	G 1/2	13	12V DC	FPM	0.5 - 12	2.2
129609	MVB.12.MS.24D.N.RV.13	G 1/2	13	24V DC	NBR	0.5 - 12	2.2
129630	MVB.12.MS.12.N.RV.13	G 1/2	13	12V DC	NBR	0.5 - 12	2.2
129575	MVB.34.MS.24D.F.RV.20	G 3/4	20	24V DC	FPM	0.5 - 12	9.1
129596	MVB.34.MS.12.F.RV.20	G 3/4	20	12V DC	FPM	0.5 - 12	9.1
129610	MVB.34.MS.24D.N.RV.20	G 3/4	20	24V DC	NBR	0.5 - 12	9.1
129631	MVB.34.MS.12.N.RV.20	G 3/4	20	12V DC	NBR	0.5 - 12	9.1
129576	MVB.1.MS.24D.F.RV.25	G 1	25	24V DC	FPM	0.5 - 12	12.7
129597	MVB.1.MS.12.F.RV.25	G 1	25	12V DC	FPM	0.5 - 12	12.7
129611	MVB.1.MS.24D.N.RV.25	G 1	25	24V DC	NBR	0.5 - 12	12.7
129632	MVB.1.MS.12.N.RV.25	G 1	25	12V DC	NBR	0.5 - 12	12.7
129577	MVB.114.MS.24D.F.RV.32	G 1 1/4	32	24V DC	FPM	0.5 - 10	21.5
129598	MVB.114.MS.12.F.RV.32	G 1 1/4	32	12V DC	FPM	0.5 - 10	21.5
129612	MVB.114.MS.24D.N.RV.32	G 1 1/4	32	24V DC	NBR	0.5 - 10	21.5
129633	MVB.114.MS.12.N.RV.32	G 1 1/4	32	12V DC	NBR	0.5 - 10	21.5
129578	MVB.112.MS.24D.F.RV.40	G 1 1/2	40	24V DC	FPM	0.5 - 10	28.1
129599	MVB.112.MS.12.F.RV.40	G 1 1/2	40	12V DC	FPM	0.5 - 10	28.1
129613	MVB.112.MS.24D.N.RV.40	G 1 1/2	40	24V DC	NBR	0.5 - 10	28.1
129634	MVB.112.MS.12.N.RV.40	G 1 1/2	40	12V DC	NBR	0.5 - 10	28.1
129579	MVB.2.MS.24D.F.RV.50	G 2	50	24V DC	FPM	0.5 - 10	37.8
129600	MVB.2.MS.12.F.RV.50	G 2	50	12V DC	FPM	0.5 - 10	37.8
129614	MVB.2.MS.24D.N.RV.50	G 2	50	24V DC	NBR	0.5 - 10	37.8
129635	MVB.2.MS.12.N.RV.50	G 2	50	12V DC	NBR	0.5 - 10	37.8

P 3-542 e

## 2/2-way solenoid valves

pilot-operated  
professional standard series  
Art. No. 129566 to 129635

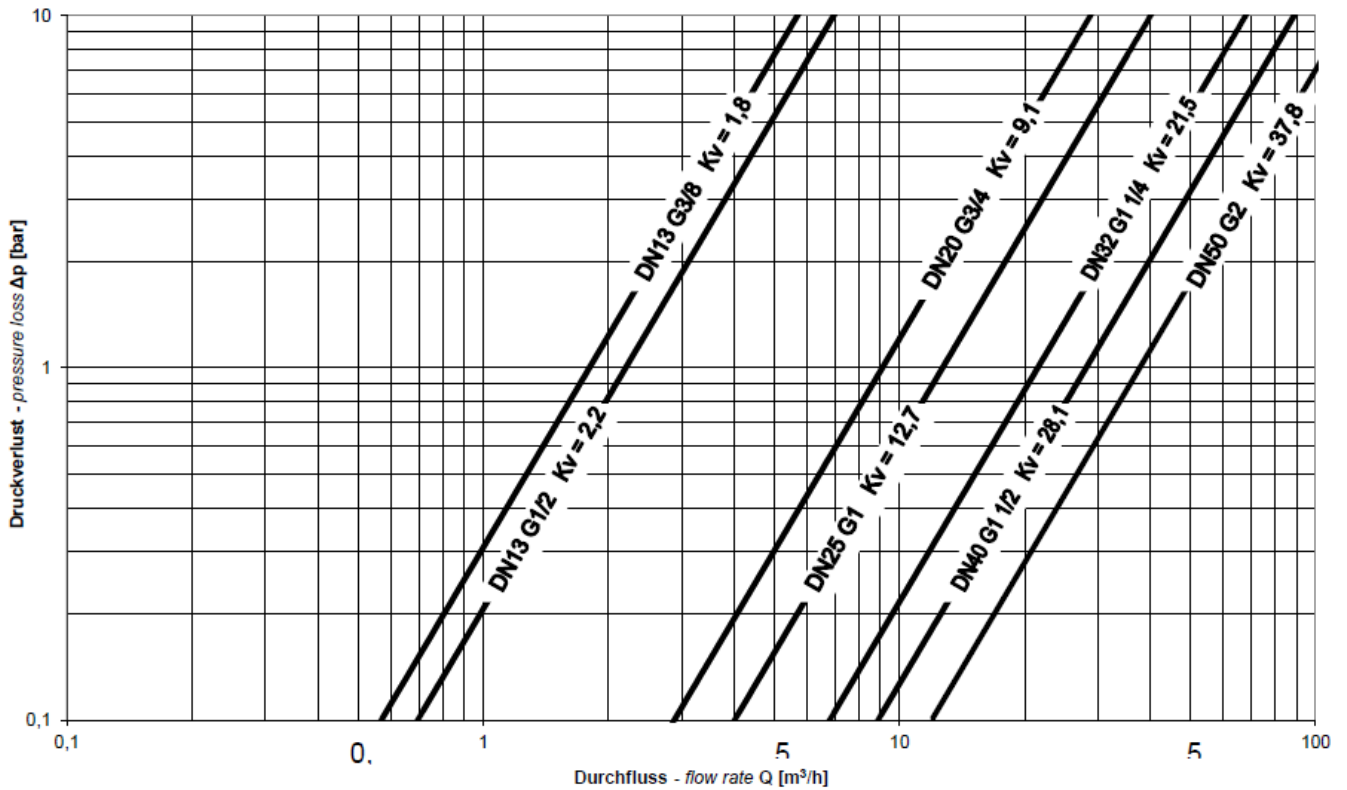


### Dimensions

Thread	SW	H	H1	L	L1	L2	L3
	mm	mm	mm	mm	mm	mm	mm
G 3/8	27	103.0	14.0	67.0	11.0	*1	48.0
G 1/2	27	103.0	14.0	67.0	11.0	*1	48.0
G 3/4	41	124.0	23.0	95.0	13.0	40.0	70.0
G 1	41	124.0	23.0	95.0	13.0	40.0	70.0
G 1 1/4	60	145.0	32.0	132.0	20.0	55.0	96.0
G 1 1/2	60	145.0	32.0	132.0	20.0	55.0	96.0
G 2	70	163.0	38.0	160.0	24.0	*1	112.0

\*1 on request

**Druckverlust,  $K_v$ -Werte**  
*Pressure loss,  $K_v$ -values*



Umrechnung:  
conversion:  $C_v = K_v / 0,865$